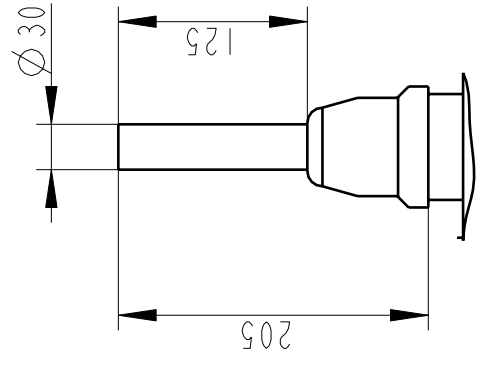
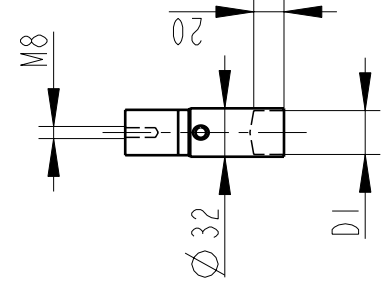


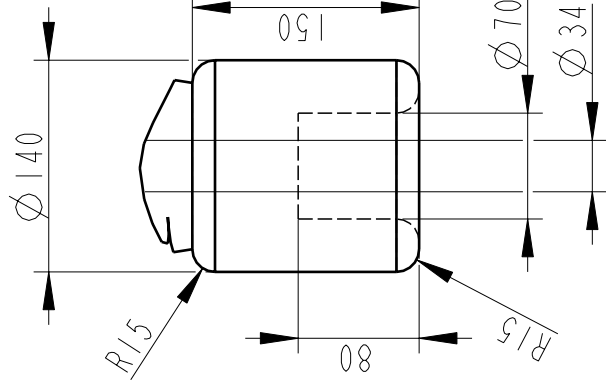
**OUTER TERMINAL**



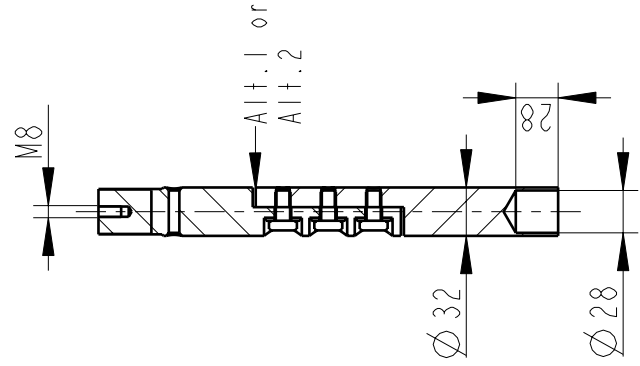
**INNER TERMINAL FOR STRANDED CABLE**



**END SHIELD**



**SOLID ROD CONNECTOR**



The solid rod can be divided either:  
 Alt.1: 20mm below the bushing flange or  
 Alt.2: 20mm below the upper end of the bottom porcelain

**Bushing Data:**

Rated Voltage	170	kV
Phase to Ground Voltage	170	kV
Dry Lightning Impulse 1,2/50µs	750	kV
Wet power frequency AC	325	kV
Routine test Imin dry 50Hz	350	kV
Rated Current	1250	A
Creepage Distance	4800±150	mm
Creepage Distance Protected	1700	mm
Mass	190	kg

**Ordering Data:**

<b>BUSHING</b>	COLOUR AIR INSULATOR
LF123078-M	BROWN
-N	LIGHT GREY
<b>OUTER TERMINAL</b>	
LF 170 002-B	Cu, Ø 30, L=125
LF 170 001-B	Al, Ø 30, L=125
OTHER TYPES ON REQUEST	
<b>INNER TERMINAL FOR STRANDED CABLE</b>	
<b>For brazing</b>	Conductor area DI
LF 170 011-T	up to 285mm <sup>2</sup> Ø 29
LF 170 011-V	Undrilled with pilot hole Ø 5
<b>SOLID ROD CONNECTOR</b>	
LF 170 052 -R	for Alt.1
LF 170 052 -N	for Alt.2

<b>ABB Components</b> Ludvika, Sweden	
No.	U / S / AC
U	kV
S	tr
AC	Hz
kg	L
mm	V
pf	Tan δ
C2	pf Tan δ

Based on	Reg. No.
Prepared	Responsible department
LÖVnord	COM/BK
Approved	Take over department
Johansson	Database
Design engineering review	
Hedlund	

<b>Title</b>	
GOB 750-1250-0.3	
WITHOUT OIL LEVEL GAUGE	
LONG END SHIELD	
Language	
Page	I(1)
Document No.	2751369-166

**ABB** ABB Components

We reserve all rights in this document and in the information contained therein. Reproduction, use or disclosure to third parties without express authority is strictly forbidden. ©ABB